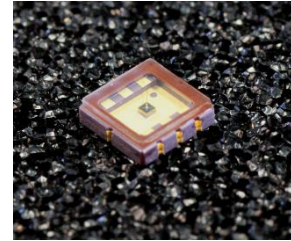


Characteristics :

- ◆ medium area SiC-photodiode for UVA, UVB and UVC
- ◆ ceramic HTCC package with quartz window
- ◆ active area: 0,25 mm²
- ◆ spectral range: 210 ... 355 nm
- ◆ high UV-responsivity: 0,16 A/W
- ◆ RoHS, REACH and WEEE conform

**Applications :**

- ◆ universal UV measurements
- ◆ sterilisation lamp control
- ◆ flame detection

Maximum ratings :

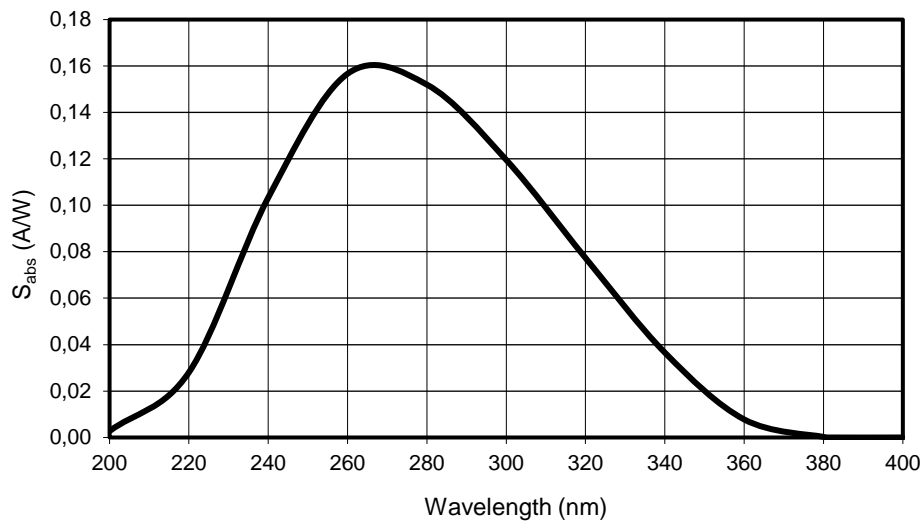
- ◆ reverse voltage: 20 V
- ◆ operating temperature: - 55 °C ... 175 °C
- ◆ storage temperature: - 55 °C ... 175 °C
- ◆ solder temperature: 245 °C (10 sec.)

Technical Specifications :

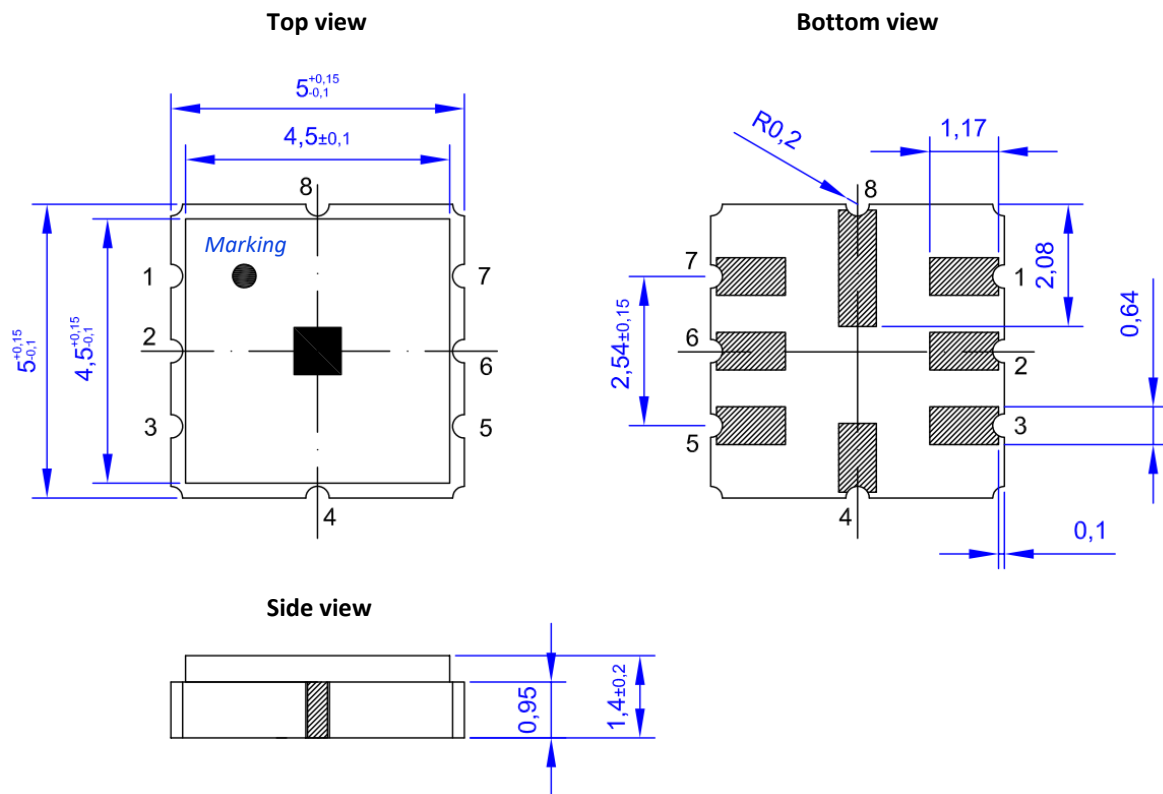
Parameter	Test-Parameter	Typical Values	Unit
chip dimensions		675 x 675	μm ²
active area		0,25	mm ²
spectral range	$S = 0,1 \times S_{\max}$		
λ_{short}		210	nm
λ_{long}		355	nm
wavelength of maximum responsivity λ_{\max}		265	nm
maximum responsivity S_{\max}	$\lambda = \lambda_{\max}$	0,16	A/W
spectral responsivity $S_{254\text{nm}}$	$\lambda = 254 \text{ nm}$	0,145	A/W
dark current I_R (max.)	$V_R = 1 \text{ V}$	10 (100)	fA
junction capacitance C_j	$f = 10 \text{ kHz}$	75	pF

Test conditions, as not otherwise specified: $T_A = 25 \text{ }^\circ\text{C}$, $V_R = 0 \text{ V}$

Absolute Spectral Responsivity S_{abs} :



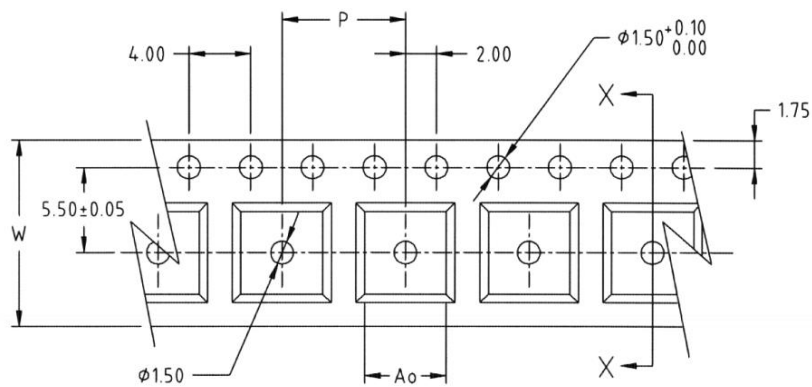
Package Dimensions (mm):



Pin Connections:

Pin 2:	Anode
Pin 4,8:	Cathode
Pin 1 (Marked), 3, 5, 6, 7:	not connected

Tape Information:



Dimensions (mm):

A₀:	5,30 ± 0,1
B₀:	5,30 ± 0,1
K₀:	2,10 ± 0,1
P₁:	8,00 ± 0,1
T:	0,30 ± 0,05
W:	12,00 + 0,3/ -0,1